

CRUX

**Single Serve Coffee Maker
with Water Tank**

Styled for Life
Designed & Engineered in New York City

Thank You for choosing
CRUX

We hope your new CRUX
small kitchen appliance will add
sleek elegance to your kitchen

Table of Contents

Important Safeguards.....	4-6
Additional Important Safeguards.....	7-8
Notes on the Plug.....	8
Notes on the Cord.....	9
Electric Power.....	9
Getting to Know Your Single Serve Coffee Maker.....	10
Introduction.....	11
Before Using for the First Time.....	12-13
Brewing Instructions.....	13
Adjusting the drip tray.....	14
Setting up your Single Serve Coffee Maker using the capsule adaptor.....	15-16
Setting up your Single Serve Coffee Maker using the ground coffee adaptor.....	16-17
Setting up your Single Serve Coffee Maker to boil water.....	18
Setting Up your Single-Serve Coffee Maker for Iced Beverages Using a Capsule.....	19
Using Ground Coffee.....	19
Brewing Another Cup.....	19
User Maintenance Instructions.....	19
Care & Cleaning Instructions.....	20
Descaling Instructions.....	20-21
Storing Instructions.....	21
Warranty.....	22-23

IMPORTANT SAFEGUARDS

When using electrical appliances, basic safety precautions should always be followed including the following:

- 1. READ ALL INSTRUCTIONS.**
2. Do not touch hot surface. Use handles or knobs only.
3. This appliance is not intended for use by persons (including children) with reduced physical, sensory or mental capabilities, or lack of experience and knowledge, unless they have been given supervision or instruction concerning use of the appliance by a person responsible for their safety.
4. Close supervision is necessary when any appliance is used by or near children.
5. In order to minimize the risk of property damage, never place the Coffee Maker under cabinets. Make sure the area several feet above the Coffee Maker is clear from all furniture or cabinetry.
6. Do not open top cover while coffee is brewing. Scalding may occur if the cover is lifted or removed during the brewing cycle.
7. Do not use outdoors.
8. Unplug unit from outlet when either the appliance or display clock is not in use, and before cleaning. Allow unit to cool before putting on or taking off parts, and before cleaning.
9. To protect against fire, electrical shock and injury to persons do not immerse cord, plugs, or appliance in water or other liquids.

10. Do not operate any appliance with a damaged cord or plug, or after the appliance malfunctions, or has been damaged in any manner. Return appliance to the nearest authorized service facility for examination, repair or adjustment. **NOTE: DO NOT ATTEMPT TO REPAIR THE UNIT YOURSELF. THIS WILL VOID THE WARRANTY.**
11. The use of accessory attachments not recommended by the appliance manufacturer may result in fire, electric shock or injury to persons.
12. Never move the appliance by pulling the cord. Do not let the cord hang over the edge of a table or counter or touch hot surfaces.
13. Stand the appliance on a table or flat surface.
14. To interrupt the brew cycle press either the 6oz, 10oz or 15oz button, whichever one was originally pressed to start the brewing cycle. Then remove plug from wall outlet.
15. Never use your Coffee Maker without water in it.
16. Do not place appliance on or near a hot gas or electric burner or in a heated oven.
17. Unplug the power cord from the electrical outlet when the appliance is not in use, left unattended.
18. Do not use this appliance for other than its intended use.
19. Scalding may occur if the lid is removed during the brewing cycles.
20. To reduce the risk of fire, do not mount unit over or near any portion of a heating or cooking appliance.
21. To reduce the risk of electric shock, do not mount over a sink.

22. To reduce the risk of fire, do not store anything directly on top of the appliance surface when the appliance is in operation.

CAUTION: There are two sharp needles that puncture the capsules. One is located inside the capsule adaptor and the other is located on the top underside of the adaptor compartment. To avoid risk of injury do not place fingers inside either parts. Also exercise caution when cleaning the parts.

CAUTION: There is boiling water in the front tab lid section during the brew process. Do not open the lid at any time for risk of injury.

FOR HOUSEHOLD USE ONLY
SAVE THESE INSTRUCTIONS

ADDITIONAL IMPORTANT SAFEGUARDS

WARNING: This appliance generates heat and escaping steam during use. Proper precautions must be taken to prevent the risk of burns, fires, or other injury to persons or damage to property.

1. All users of this appliance must read and understand this Instruction Manual before operating or cleaning this appliance.
2. The cord to this appliance should be plugged into a 120V AC electrical outlet only.
3. Use water only in this appliance! Do not put any other liquids or food products in this appliance. Do not mix or add anything to the water placed in this appliance, except as instructed in the User Maintenance Instructions to clean the appliance.
4. DO NOT attempt to move an appliance containing hot liquids. Allow appliance to cool completely before moving.
5. Keep appliance at least 4 inches away from walls or other objects during operation. Do not place any objects on top of appliance while it is operating. Place the appliance on a surface that is resistant to heat.
6. If this appliance begins to malfunction during use, immediately unplug the cord. Do not use or attempt to repair the malfunctioning appliance.

7. If this appliance falls or accidentally becomes immersed in water or any other liquid, unplug it immediately. Do not reach into the water! Do not use this appliance after it has fallen into or has become immersed in water.
8. The appliance must be left to cool down sufficiently before adding more water to avoid exposure to steam.
9. Always use fresh, cool water in your appliance. Warm water or other liquids, except as listed in cleaning section, may cause damage to the appliance.

NOTES ON THE PLUG

This appliance has a polarized plug (one blade is wider than the other). To reduce the risk of electric shock, this plug will fit in a polarized outlet only one way. If the plug does not fit fully into the outlet, reverse the plug. If it still does not fit, contact a qualified electrician. Do not modify the plug in any way.

NOTES ON THE CORD

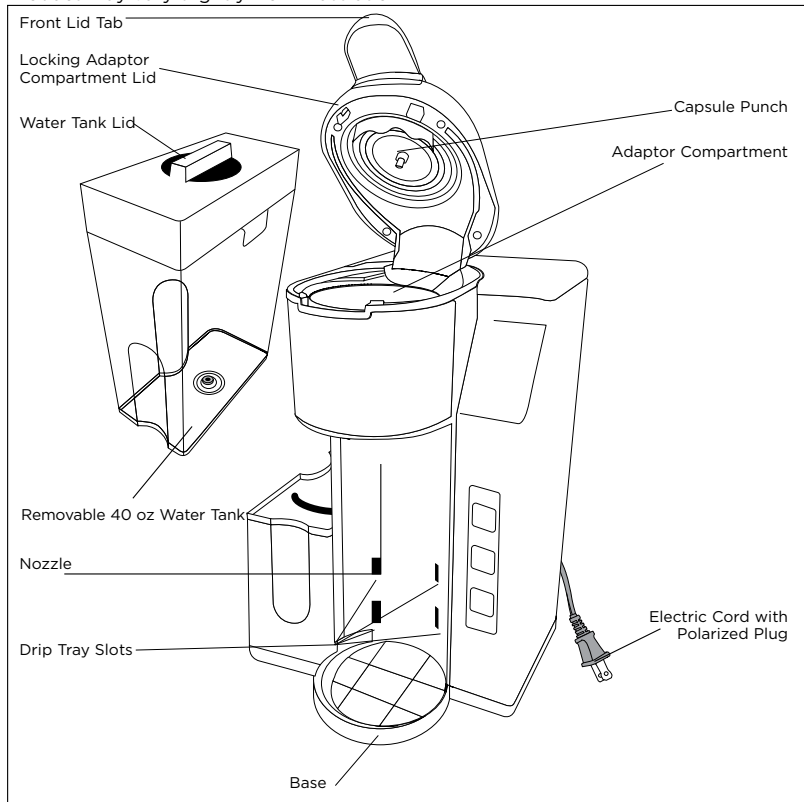
- a) A short power-supply cord (or detachable power-supply cord) is to be provided to reduce risks resulting from becoming entangled in or tripping over a longer cord.
- b) Longer detachable power-supply cords or extension cords are available and may be used if care is exercised in their use.
- c) If a long detachable power-supply cord or extension cord is used:
 - 1) The marked electrical rating of the detachable power-supply cord or extension cord should be at least as great as the electrical rating of the appliance;
 - 2) If the appliance is of the grounded type, the extension cord should be a grounding- type 3-wire cord; and
 - 3) The longer cord should be arranged so that it will not drape over the counter top or table top where it can be pulled on by children or tripped over.

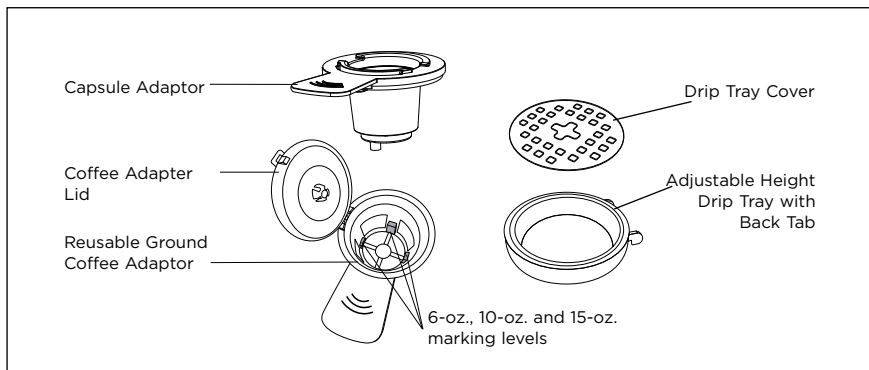
ELECTRIC POWER

If the electrical circuit is overloaded with other appliances, your appliance may not operate properly. It should be operated on a separate electrical circuit from other appliances.

Getting To Know Your Single Serve Coffee Maker

Product may vary slightly from illustration





Introduction

- This single-serve Coffee Maker uses a pressurized system to brew a perfect single hot beverage.
- The adjustable drip tray accommodates most cup sizes, mugs, tall travel mugs or tumblers.
- Use the ground coffee adaptor (included) to create special blends of your favorite coffee. For added personalization, add a dash of your favorite spice, from cinnamon, orange peel, cardamom or vanilla bean to name a few.
- Using the reusable ground coffee adaptor is an environmentally-friendly choice that will also save you money!

Before Using for the First Time

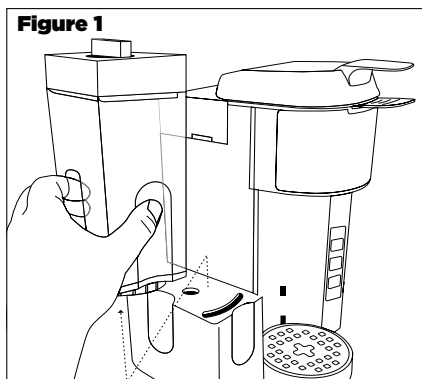
CAUTION: To protect against electrical shock, do not immerse the Coffee Maker or allow the power cord to come into contact with water or other liquids.

1. Remove all packing material and labels from the inside and outside of the Coffee Maker. Place the unit on a flat, clean surface. Make sure to remove both adaptors from the inner packaging.
2. Before use, thoroughly clean both adaptors with warm soapy water.
3. To clean the inside of the unit, it is recommended to brew a full tank of water, which corresponds to brew 3 to 4 tall cups.

4. Grasp the removal water tank using the designated grips. Lift the water tank up and remove it from the base of the unit. (See Figure 1).
5. Remove the lid and fill the water tank to the MAX indicator line with cold water.

NOTE: Never fill the water tank past the MAX indicator line and ensure water level is above the MIN indicator line.

6. Put the lid back and put the water tank back into place. Place down firmly to make sure it is securely in place.
7. Select the desired height for the drip tray, depending on the size of the cup, mug, or tumbler being used.
8. Place the empty cup, mug, or tumbler in position on the drip tray cover.
NOTE: Do not add any adaptor for this initial cleaning.
9. To select the brew size press either the 6-oz, 10-oz or 15-oz button.
10. The light on the selected button size will begin to flash as the Coffee Maker begins heating the water.



11. When the water has reached the optimum temperature, the light on the button will illuminate solid. Water will begin to stream through the nozzle. At the end of the cycle, the Coffee Maker and indicator light will automatically TURN OFF.

IMPORTANT: Repeat this process twice to thoroughly clean the machine before using for the first time.

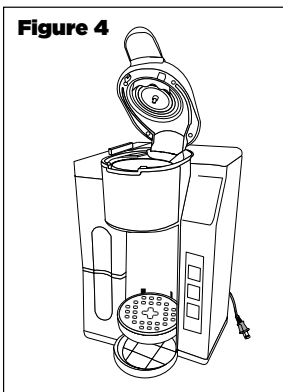
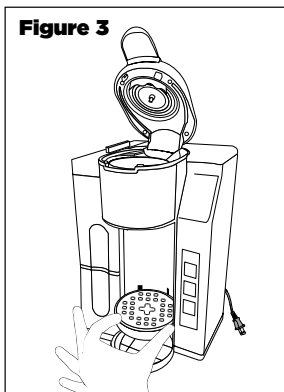
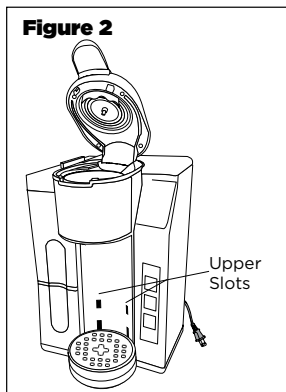
12. Unplug the Coffee Maker when not in use.

Brewing Instructions

The drip tray adjusts to two heights to accommodate shorter cups or mugs to taller travel mugs/tumblers. For taller travel mugs and tumblers, make sure the drip tray and cover are properly placed in the lower position.(See Figure 2.) When brewing a smaller cup, raise the drip tray to the upper level to avoid splatter. (See Figure 4.)

Adjusting the Drip Tray

1. Grasp the drip tray and cover from the base. (See Figure 2.)
2. Holding on to both pieces, slightly tilt upwards and slide out from the unit. (See Figure 3.)
3. Using the tab on the back of the drip tray as your guide, again slightly tilt both pieces upwards and glide the tabs into the upper slots on the Coffee Maker body. (See Figure 4.) Press down on the drip tray with your hand to make sure it is firmly and properly attached before placing the cup or mug on top.



Setting Up your Single Serve Coffee Maker Using the Capsule Adaptor

WARNING: Before brewing, it is recommended the water tank be filled at least to the MIN indicator line.

To avoid damage to your Coffee Maker, never operate your Single Serve Coffee Maker when the water tank is empty.

1. Grasp the removal water tank using the designated grips. Lift the water tank up and remove it from the base of the unit. (See Figure 1.)
2. Remove the lid and fill the water tank to the MAX indicator line with cold water.
NOTE: Never fill the water tank past the MAX indicator line and ensure water level is above the MIN indicator line.
IMPORTANT: For optimal flavor, distilled or filtered water is preferred.
3. Put the lid back and put the water tank back into place. Place down firmly to make sure it is securely in place.
4. Select the desired height for the drip tray, depending on the size of the cup, mug, or tumbler being used
5. Place the empty cup, mug, or tumbler in position on the drip tray cover
6. Pull the adaptor compartment's front tab up to unlock and lift the lid.
7. Choose the capsule adaptor. Add the capsule of your choice into the adaptor. Press down on the capsule until it is flush with the adaptor. You will hear a pierce as the needle penetrates the capsule.
8. With the handle facing front, place the capsule adaptor into the adaptor compartment. Slide the adaptor handle in to the grooves at the front of the Coffee Maker.
9. Press the adaptor compartment's lid down firmly. An audible click can be heard as the lid is locked firmly into position, and the top of the capsule will be punctured.
10. Plug the Coffee Maker into a 120V AC electrical wall outlet
11. To select the brew size press either the 6-oz, 10-oz or 15-oz button.
12. The light on the selected button size will begin to flash as the Coffee Maker begins heating the water.

13. When the water has reached the optimum temperature, the light on the button will illuminate solid.
14. The pump will then activate and coffee will begin to stream through the nozzle.
15. To interrupt the brewing cycle at any time, press the same size button you had originally selected. Then remove the plug from the wall outlet.
16. At the end of the cycle, the Coffee Maker and all indicator light will automatically turn OFF.
17. Allow unit to cool before removing the used capsule to discard.
18. Unplug the Coffee Maker when not in use.

Setting Up your Single Serve Coffee Maker with Water Tank Using the Ground Coffee Adaptor

The ground coffee adaptor allows you to create your own favorite blend of coffee. Personalize your blends by adding a dash of cinnamon, orange peel, cardamom or vanilla bean for flavoring, to name a few options.

NOTE: For best results, use medium ground coffee.

WARNING: Before brewing, it is recommended the water tank be filled at least to the MIN indicator line. To avoid damage to your Coffee Maker, never operate your Single Serve Coffee Maker when the water tank is empty.

1. Grasp the removable water tank using the designated grips. Lift the water tank up and remove it from the base of the unit. (See Figure 1)
2. Remove the lid and fill the water tank to the MAX indicator line with cold water.

NOTE: Never fill the water tank past the MAX indicator line and ensure water level is above the MIN indicator line.

IMPORTANT: For optimal flavor, distilled or filtered water is preferred.

3. Put the lid back and put the water tank back into place. Place down firmly to make sure it is securely in place.
4. Select the desired height for the drip tray, depending on the size of the cup, mug, or tumbler being used.

5. Place the empty cup, mug, or tumbler in position on the drip tray cover.
6. Pull the adaptor compartment's front tab up to unlock and lift the lid.
7. Choose the ground coffee adaptor and fill it with medium size ground coffee. There are indicator lines inside the filter for 6-oz, 10-oz and 15-oz servings. Add the desired amount of coffee to the line of your choice. DO NOT EXCEED the 15-oz line. Once the coffee has been added, close the ground coffee adaptor lid.
8. With the handle facing front, place the ground coffee adaptor into the adaptor compartment. Slide the adaptor handle into the grooves at the front of the Coffee Maker.
9. Press the adaptor compartment's lid down firmly. An audible click can be heard as the lid is locked firmly into position.
10. Plug the Coffee Maker into a 120V AC electrical wall outlet.
11. To select the brew size press either the 6-oz, 10-oz or 15-oz button, and the brew cycle will begin.
12. The indicator light will begin to flash as the Coffee Maker begins heating the water.
13. When the water has reached the optimum temperature, the light on the button will illuminate solid.
14. The pump will then activate and coffee will begin to stream through the nozzle.
15. To interrupt the brewing cycle at any time, press the same size button you had originally selected. Then remove the plug from the wall outlet.
16. At the end of the cycle, the Coffee Maker and all indicator light will automatically turn OFF.
17. Unplug the Coffee Maker when not in use.

Setting Up your Single Serve Coffee Maker with Water Tank to Boil Water

Heating plain water in your Single Serve Coffee Maker is quick and easy. Water is dispensed at the perfect temperature for preparing single cups of bagged teas, instant soups, quick cooking oats, packaged hot chocolate, hot apple cider or anything that requires boiling water.

WARNING: Before brewing, it is recommended the water tank be filled at least to the MIN indicator line. To avoid damage to your Coffee Maker, never operate your Single Serve Coffee Maker when the water tank is empty.

IMPORTANT: To prevent tainted or “off” flavors when changing hot beverages, while the unit is OFF, use a damp paper towel to completely remove any residue from the adaptor compartment.

1. Follow detailed brewing instructions described previously.
2. Prepare your cup, mug, or tumbler by placing the item of your choice into the mug
3. Select either adaptor. With the handle facing front, place the adaptor of choice into the adaptor compartment. Slide the adaptor handle into the grooves at the front of the coffee maker.
4. Following detailed instructions described previously, adjust the drip tray to accommodate your cup, mug, or tumbler.
5. Center the cup under the nozzle
6. To select the brew size press either the 6-oz, 10-oz or 15-oz button, and the brew cycle will begin.
7. After water has been heated and dispensed, stir contents of mug well.

Setting Up your Single-Serve Coffee Maker for Iced Beverages Using a Capsule:

Follow the “SETTING UP YOUR SINGLE-SERVE COFFEE MAKER USING THE CAPSULE ADAPTOR” instructions with the following adjustments:

1. Use K-Cup® capsule with a stronger flavour.
2. Use a tall (approximately 20-oz.) cup/tumbler filled with ice cubes.
CAUTION: Do not use with a glass cup/tumbler as there is risk the glass may crack or break.

Using Ground Coffee:

Follow the “SETTING UP YOUR SINGLE-SERVE COFFEE MAKER USING THE GROUND COFFEE ADAPTOR” instructions.

1. Fill the reusable ground coffee adaptor to the 15-oz fill line.
2. Use a tall (approximately 20-oz.) cup/tumbler filled with ice cubes.
CAUTION: Do not use with a glass cup/tumbler as there is risk the glass may crack or break.

Brewing Another Cup

You can brew cup after cup of your favorite hot beverage.

User Maintenance Instructions

This appliance requires little maintenance. It contains no user-serviceable parts. Any servicing requiring disassembly other than cleaning must be performed by a qualified appliance repair technician.

Care & Cleaning Instructions

1. Always make sure Coffee Maker is unplugged and the drip tray and cover are cool before removing from the base.
2. Rinse drip tray and cover and replace in the Coffee Maker base.
3. Press the adaptor compartment's front lid to unlock and lift the lid.
4. Remove the used capsule from the capsule adaptor and discard. Rinse the capsule adaptor in warm water before each use.
5. When using the reusable ground coffee adaptor, discard the used coffee. Wash adaptor in warm, soapy water, to remove all coffee grinds. Rinse well.

NOTE: Both the capsule and the ground coffee adaptors are top rack dishwasher safe.

6. Use a damp paper towel or sponge to completely remove any residue from the adaptor compartment.
7. Wipe the exterior of the Coffee Maker with a damp cloth to remove superficial stains. For stubborn stains, use a nylon or plastic pad with a non-abrasive cleanser. Do not use metal scouring pads or abrasive cleansers.

Descaling Instructions

Special cleaning of your Coffee Maker is recommended at least twice a year, depending on frequency of use and quality of water used in the unit. If water in your area is especially hard, the following cleaning procedure should be performed more often, since minerals in water can detract from the flavor of the coffee and possibly lengthen brew time.

1. Fill water tank with 1 part white vinegar (3-oz.) to 3 parts cold water (9-oz.).
2. Do not add any adaptor.
3. Place an empty tumbler in position on the drip tray cover
4. To select brew size press either the 6-oz, 10-oz, 15-oz button.
5. The light on the selected button size will begin to flash as the Coffee Maker begins heating the cleaning solution.
6. The indicator light on the selected size button will illuminate solid as the cleaning solution begins to stream through the nozzle. At the end of the cycle, the Coffee Maker and indicator light will automatically TURN OFF.

7. Repeat steps 3 to 5 until the water tank is empty.
8. Following the same procedure, continue to run clean water through the Coffee Maker three times, or until water is clean and fresh and no residual vinegar odor or flavor remains.
9. Unplug the Coffee Maker when not in use.
10. Dry parts thoroughly. Wipe the Coffee Maker's exterior with a dry cloth

Storing Instructions

1. Unplug unit and allow to cool.
2. Never wrap cord tightly around the appliance. Do not put any stress on the cord where it enters the unit, as it could cause the cord to fray and break.
3. Store one clean adaptor in the Coffee Maker's adaptor compartment.
4. Store the other adapter with the unit.
5. Store the Coffee Maker in a cool, dry place.
6. Never store unit while it is still plugged in.

Limited Two-Year Warranty

SENSIO Inc. hereby warrants that for a period of **TWO YEARS** from the date of purchase, this product will be free from mechanical defects in material and workmanship, and for 90 days in respect to non-mechanical parts. At its sole discretion, SENSIO Inc. will either repair or replace the product found to be defective, or issue a refund on the product during the warranty period.

The warranty is only valid for the original retail purchaser from the date of initial retail purchase and is not transferable. Keep the original sales receipt, as proof of purchase is required to obtain warranty validation. Retail stores selling this product do not have the right to alter, modify, or in any way revise the terms and conditions of the warranty.

Exclusions:

The warranty does not cover normal wear of parts or damage resulting from any of the following: negligent use of the product, use of improper voltage or current, improper routine maintenance, use contrary to the operating instructions, disassembly, repair, or alteration by anyone other than qualified SENSIO Inc. personnel. Also, the warranty does not cover Acts of God such as fire, floods, hurricanes, or tornadoes.

SENSIO Inc. shall not be liable for any incidental or consequential damages caused by the breach of any express or implied warranty.

Apart from the extent prohibited by applicable law, any implied warranty of merchantability or fitness for a particular purpose is limited in time to the duration of the warranty. Some states, provinces or jurisdictions do not allow the exclusion or limitation of incidental or consequential damages, or limitations on how long an implied warranty lasts, and therefore, the above exclusions or limitations may not apply to you. The warranty covers specific legal rights which may vary by state, province and/or jurisdiction.

How To Obtain Warranty Service:

You must contact Customer Service at our toll-free number: 1-866-832-4843. A Customer Service Representative will attempt to resolve warranty issues over the phone. If the Customer Service Representative is unable to resolve the problem, you will be provided with a case number and asked to return the product to SENSIO Inc. Attach a tag to the product that includes: your name, address, daytime contact telephone number, case number, and description of the problem.

Also, include a copy of the original sales receipt. Carefully package the tagged product with the sales receipt, and send it (with shipping and insurance prepaid) to SENSIO Inc.'s address. SENSIO Inc. shall bear no responsibility or liability for the returned product while in transit to SENSIO Inc.'s Customer Service Center.

CRUX

For customer service questions or comments
1-866-832-4843

For Recipes and Cooking tips
cruxkitchen.com

 [crux.kitchen](https://www.instagram.com/crux.kitchen)  [cruxkitchen](https://www.facebook.com/cruxkitchen)  [cruxkitchen](https://twitter.com/cruxkitchen)  [cruxkitchen](https://www.pinterest.com/cruxkitchen)  [CRUX kitchen](https://www.youtube.com/CRUXkitchen)

CRUX is a trademark of 8479950 Canada Inc.,
Montreal, Canada H3C 4S9.
All rights reserved